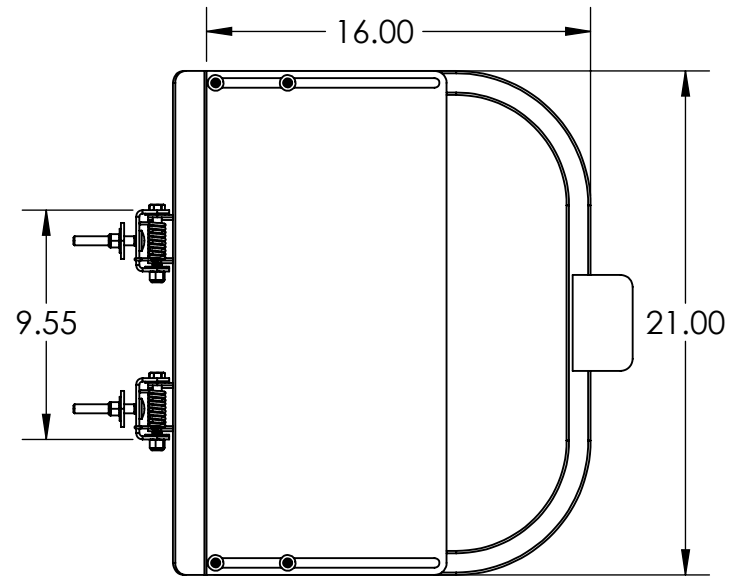
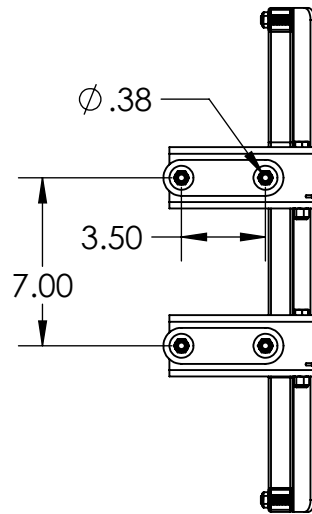


ITEM NO.	PART NUMBER	DESCRIPTION	QTY.
1	400078	SCG BODY WELD	1
2	400136	SCG ARM WELD	1
3	100040	NUT NYLOCK LOW 3/8-16	4
4	420243	SCG FF HINGE CLAMP	2
5	100016	WASHER-FLAT 3/8" ZINC	8
6	100044	HHCS 3/8-16 X 3"	2
7	100017	NUT-NYLOCK 3/8-16	6
8	100043	BH SHCS 3/8-16 X 1.5	4
9	150060	SCG SPRING	2
10	100012	CARRIAGE BOLT-3/8-16 2.75"	4
11	420209	LADDER BRACKET BAR	2



MIN OPENING ~19"
MAX OPENING ~ 25"

Safety Rail Company LLC.
4244 Shoreline Dr.
P.O. Box 427
Spring Park, MN 55384

Toll Free: 888-434-2720
Tel: 952-471-0950
Fax: 888-471-4931
www.safetyrailcompany.com
info@safetyrailcompany.com

TITLE:
SELF CLOSING GATE FOR FLAT 19-25"

SIZE A	DWG. NO. 400229	REV
------------------	---------------------------	-----

SCALE: 1:8	WEIGHT:	SHEET 1 OF 1
------------	---------	--------------