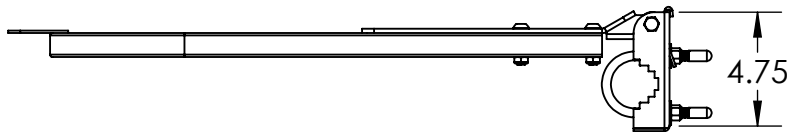
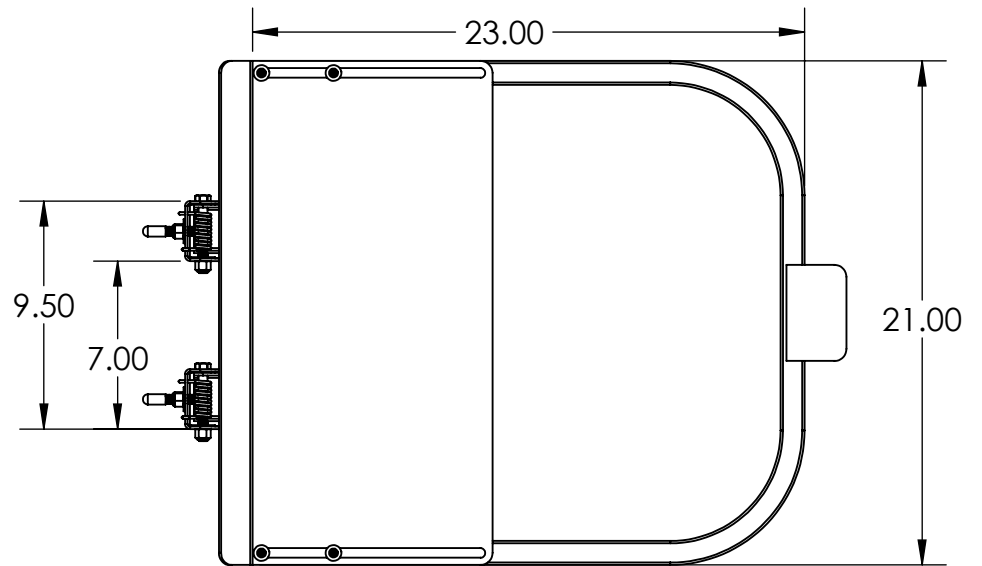


ITEM NO.	PART NUMBER	DESCRIPTION	QTY.
1	400078	SCG BODY WELD	1
2	400079	SCG ARM WELD	1
3	100040	NUT NYLOCK LOW 3/8-16	4
4	420244	SCG HINGE CLAMP	2
5	100016	WASHER-FLAT 3/8" ZINC	4
6	100044	HHCS 3/8-16 X 3"	2
7	100017	NUT-NYLOCK 3/8-16	2
8	100043	BH SHCS 3/8-16 X 1.5	4
9	150060	SCG SPRING	2
10	150084	U-BOLT KIT 2" X 3/8"	2
11	150090	3/8" VINYL CAP	4



MIN OPENING ~23"
MAX OPENING ~29"

Safety Rail Company LLC.
4244 Shoreline Dr.
P.O. Box 427
Spring Park, MN 55384

Toll Free: 888-434-2720
Tel: 952-471-0950
Fax: 888-471-4931
www.safetyrailcompany.com
info@safetyrailcompany.com

TITLE:
SELF CLOSING GATE 23-29"

SIZE A	DWG. NO. 400313	REV
------------------	---------------------------	-----

SCALE: 1:8	WEIGHT:	SHEET 1 OF 1
------------	---------	--------------