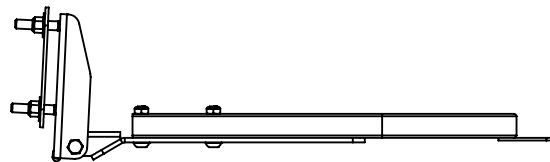
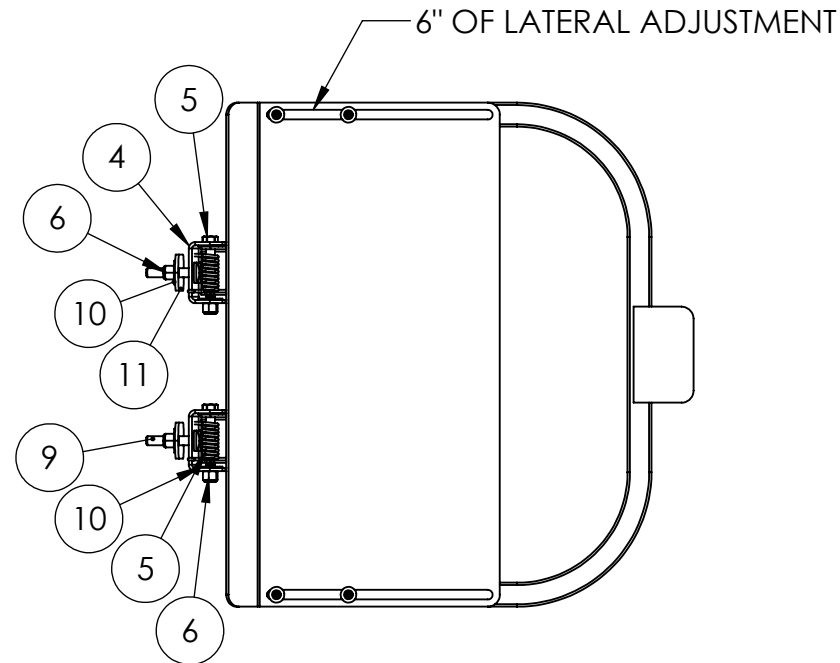


ITEM NO.	PART NUMBER	DESCRIPTION	QTY.
1	400336	SELF CLOSING GATE BODY WELD GALV	1
2	400324	SELF CLOSING GATE ARM WELD GALV	1
3	100040	NUT NYLOCK LOW 3/8-16	4
4	420315	SCG FF HINGE CLAMP GALV	2
5	100044	HHCS 3/8-16 X 3"	2
6	100017	NYLOCK NUT 3/8-16	6
7	100043	BH SHCS 3/8-16 X 1.5	4
8	150060	SELF CLOSING GATE SPRING	2
9	100012	CARRIAGE BOLT-3/8-16 2"	4
10	100016	WASHER-FLAT 3/8" ZINC	8
11	420316	SCG FF BAR GALV	2



TITLE:
 SELF CLOSING GATE FOR FLAT 19-25"
 GALVANIZED

ALL HDW GR 5
 EXCEPTION: 3 IS GR8
 SPRING IS SS .107" DIA

Safety Rail Company LLC.
 4244 Shoreline Dr.
 P.O. Box 427
 Spring Park, MN 55384

Toll Free: 888-434-2720
 Tel: 952-471-0950
 Fax: 888-471-4931
 www.safetyrailcompany.com
 info@safetyrailcompany.com

SIZE A	DWG. NO. 400323	REV
SCALE: 1:8	WEIGHT:	SHEET 1 OF 1