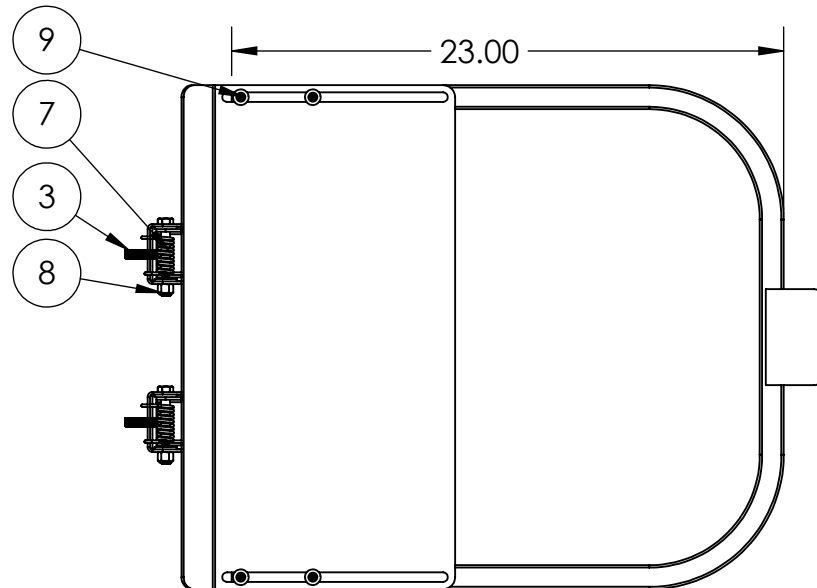


ITEM NO.	PART NUMBER	DESCRIPTION	QTY.
1	400336	SELF CLOSING GATE BODY WELD GALV	1
2	400345	SELF CLOSING GATE ARM WELD	1
3	150084	U-BOLT KIT 2" X3/8	2
4	100040	NUT NYLOCK LOW 3/8-16	4
5	420317	SELF CLOSING GATE HINGE CLAMP	2
6	100015	WASHER-FLAT 7/16 ZINC	4
7	100044	HHCS 3/8-16 X 3"	2
8	100017	NUT-NYLOCK 3/8-16	2
9	100043	BH SHCS 3/8-16 X 1.5	4
10	150060	SELF CLOSING GATE SPRING	2



TITLE:		
SCG 23-29" ASSEMBLY (GALV)		
SIZE	DWG. NO.	REV
A	400344	
SCALE: 1:8	WEIGHT:	SHEET 1 OF 1

ALL HDW GR 5
EXCEPTION: #4 IS GR8
SPRING IS SS .107" DIA

Safety Rail Company LLC.
4244 Shoreline Dr.
P.O. Box 427
Spring Park, MN 55384

Toll Free: 888-434-2720
Tel: 952-471-0950
Fax: 888-471-4931
www.safetyrailcompany.com
info@safetyrailcompany.com