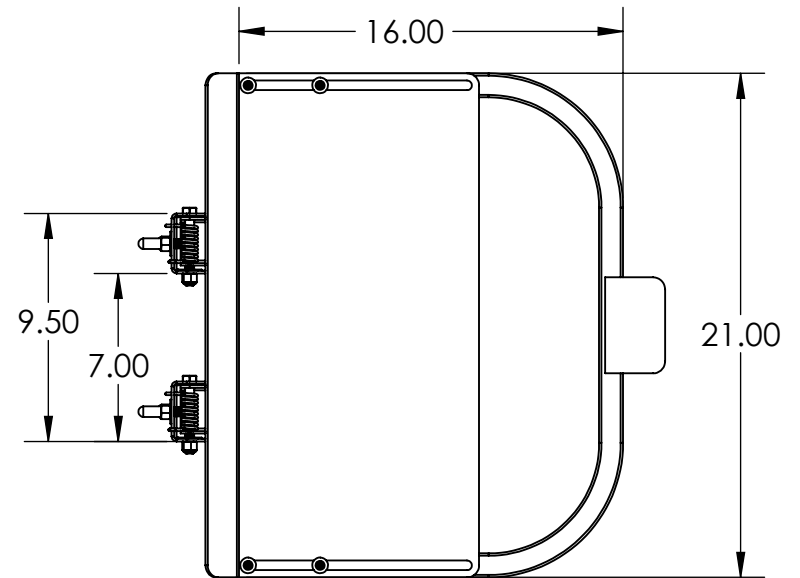
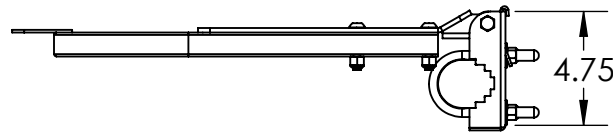


ITEM NO.	PART NUMBER	DESCRIPTION	QTY.
1	400627	SCG BODY WELD	1
2	400628	SCG ARM WELD	1
3	100123	WASHER-FLAT 3/8" SS	4
4	420050	SCG HINGE CLAMP	2
5	150060	SCG SPRING	2
6	150090	3/8" VINYL CAP	4
7	100121	NUT-NYLOCK 3/8-16	6
8	100122	BH SHCS 3/8-16 X 1.5	4
9	100120	HHCS 3/8-16 X 3"	2
10	150143	U-BOLT KIT 2" X 3/8"	2



MIN OPENING ~16"  
MAX OPENING ~ 22"

**Safety Rail Company LLC.**  
4244 Shoreline Dr.  
P.O. Box 427  
Spring Park, MN 55384

Toll Free: 888-434-2720  
Tel: 952-471-0950  
Fax: 888-471-4931  
www.safetyrailcompany.com  
info@safetyrailcompany.com

TITLE:  
16-22" SELF CLOSING GATE

SIZE	DWG. NO.	REV
<b>A</b>	<b>400369</b>	

SCALE: 1:8	WEIGHT:	SHEET 1 OF 1
------------	---------	--------------