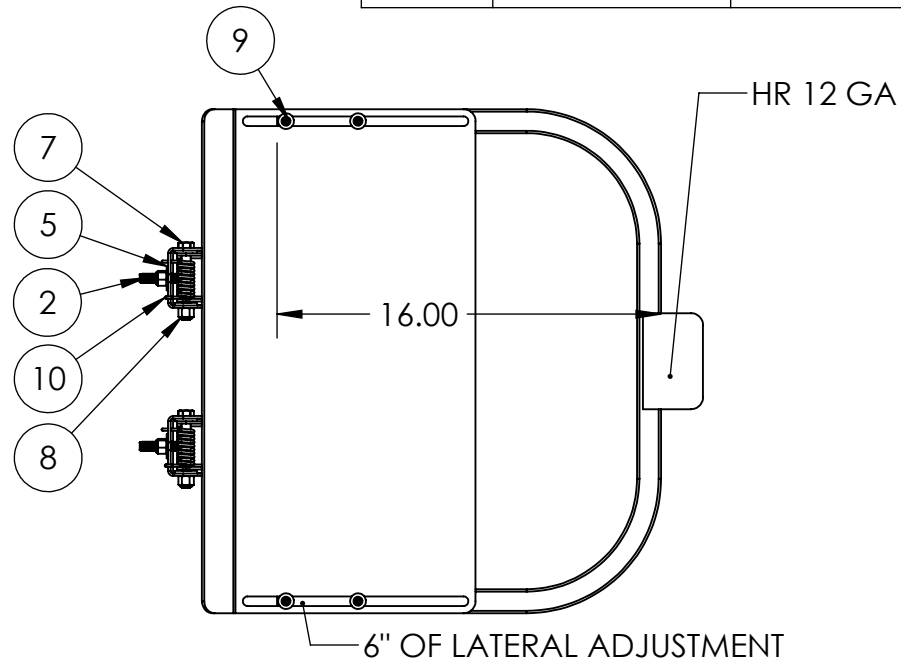
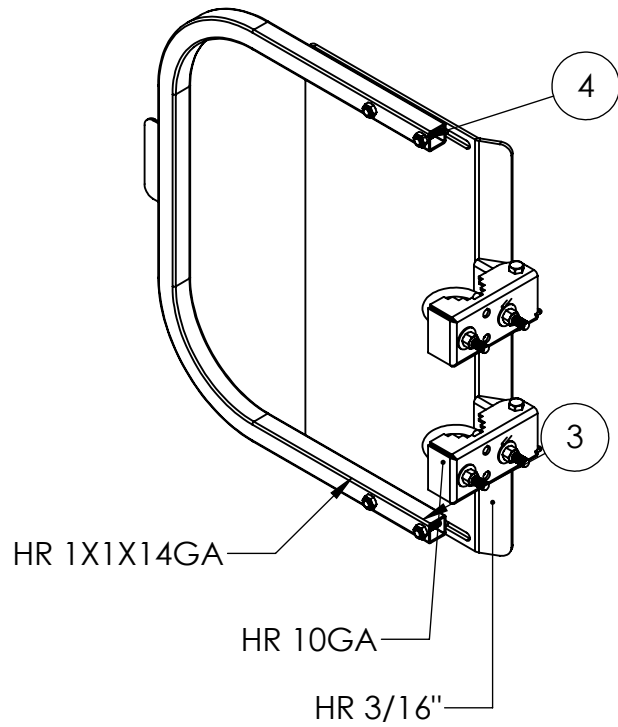


ITEM NO.	PART NUMBER	DESCRIPTION	QTY.
1	400336	SELF CLOSING GATE BODY WELD GALV	1
2	150084	U-BOLT KIT 2" X 3/8"	2
3	400324	SELF CLOSING GATE ARM WELD GALV	1
4	100040	NUT NYLOCK LOW 3/8-16	4
5	420317	SELF CLOSING GATE HINGE CLAMP	2
6	100016	WASHER-FLAT 7/16 ZINC	4
7	100044	HHCS 3/8-16 X 3"	2
8	100017	NUT-NYLOCK 3/8-16	2
9	100043	BH SHCS 3/8-16 X 1.5	4
10	150060	SCG SPRING	2



TITLE:
 SCG 16-22"
 ASSEMBLY (GALV)

Safety Rail Company LLC.
 4244 Shoreline Dr.
 P.O. Box 427
 Spring Park, MN 55384
 Toll Free: 888-434-2720
 Tel: 952-471-0950
 Fax: 888-471-4931
 www.safetyrailcompany.com
 info@safetyrailcompany.com

SIZE A	DWG. NO. 400613	REV
SCALE: 1:8	WEIGHT:	SHEET 1 OF 1